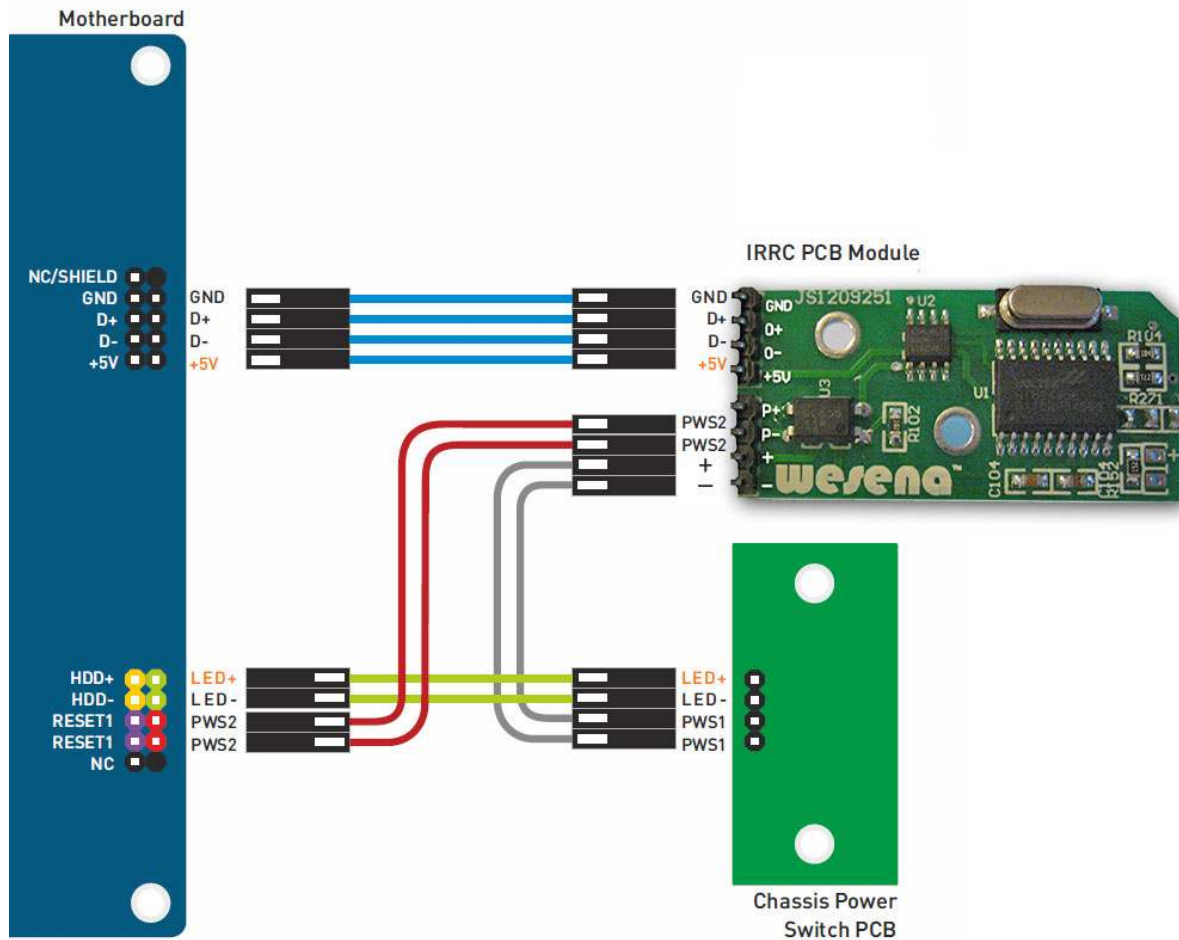


Streacom IR PCB Revision

Streacom have changed the PCB layout on some of the IR receivers so if the official instructions don't match up with your product then here is how you wire the IR receiver:



If the wires supplied with your IR Receiver are white, you will find that each wire has a different pattern running the length of the wire so you can use these patterns to ensure that you connect the correct the pins/components together.